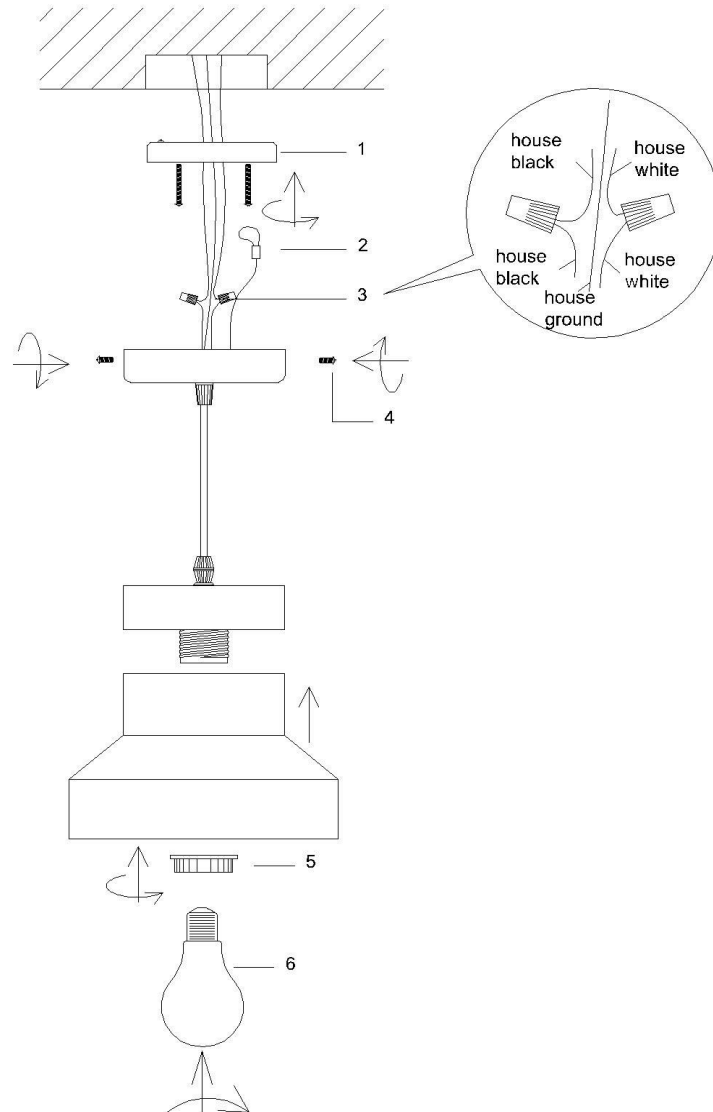




# C53206CR



## INSTALLATION INSTRUCTIONS:

- Ensure main supply is switched off.
- Fit mounting bracket (1) onto mounting surface with self-tapping screws .
- Fit steel cable(2) onto mounting surface.
- Connect wires (3) according to color (White to White, Black to Black). Connect all earth lug together onto the crossbar with green screw to tight.
- Fit ceiling plate onto mounting bracket with screws (4).
- use socket ring(5) to fix shade .
- Install lamps(6) firmly into lampholders.
- Reconnect power.

## WARNING:

- This fitting must be earthed.
- Disconnect power and allow fitting to cool down before cleaning or changing the lamp.