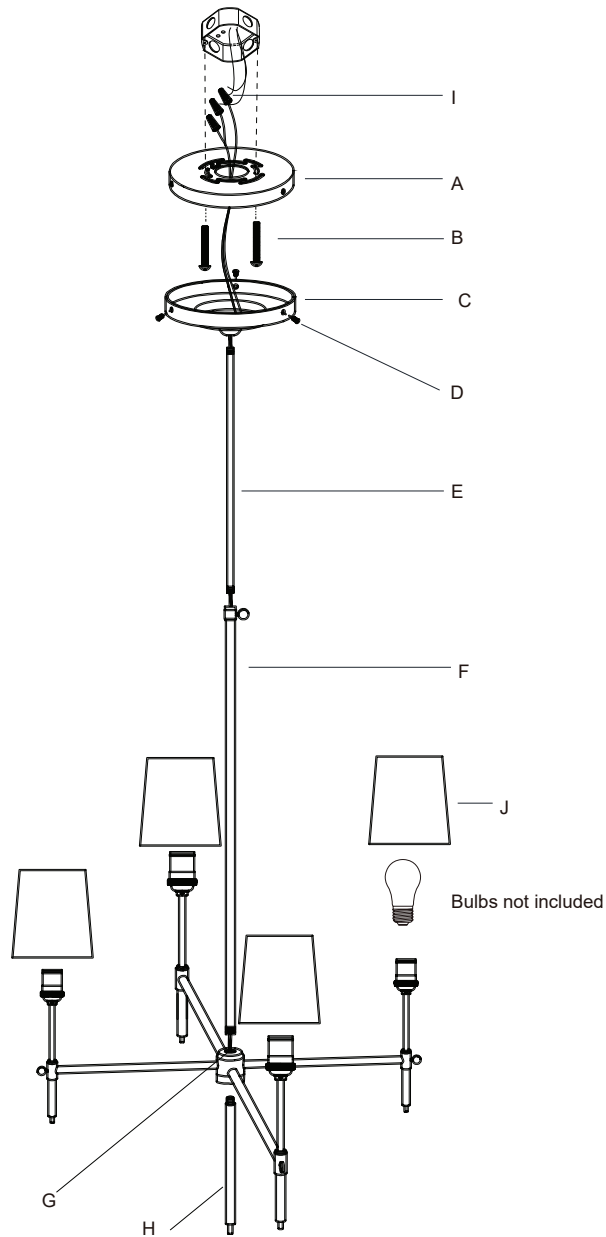


ASSEMBLY INSTRUCTIONS



Bryant Large Chandelier

Item# TOB 5003

WE RECOMMEND INSTALLATION OF THIS LIGHTING FIXTURE BE DONE BY A LICENSED ELECTRICIAN.

WARNING*SWITCH OFF THE MAIN ELECTRICAL SUPPLY FROM THE MAIN FUSE BOX/CIRCUIT BREAKER BEFORE INSTALLATION.**

INSPECT ITEM CAREFULLY BEFORE ATTEMPTING TO INSTALL. IF THERE IS ANY DAMAGE OR OBVIOUS DEFECT. DO NOT INSTALL.

ITEM MAY NOT BE RETURNED ONCE IT HAS BEEN INSTALLED.

NOTE: CAREFULLY UNPACK EACH PIECE IN TOP LAYER OF PACKING PRIOR TO REMOVING. RETAIN ALL PACKING MATERIAL UNTIL INSPECTION AND INSTALLATION ARE FINAL.

1. Carefully remove all parts from the box.
2. Remove the mounting plate (A) from the canopy (C) by loosening the side screws (D).
3. Install the mounting plate (A) to the junction box and secure with the mounting screws (B).
4. Feed wires through the rod (F), rod (E) and canopy (C).
5. Thread the rod (F) to the opening of the fixture body (G), then thread the rod (E) to the rod (F) and thread the canopy (C) to the rod (E).
6. Measure the wires then cut, be certain to leave enough to connect the wires in the junction box.
7. Strip the insulation on the fixture wires about 5/8".
8. Wrap the fixture ground wire to the green ground screw on the mounting plate (A) and secure, then connect to the ground wire in the junction box using the wire nut (I).
IT IS IMPERATIVE THAT THIS FIXTURE BE GROUNDED.
9. Connect the fixture ribbed wire (no markings) to the neutral wire in the junction box using the wire nut (I).
10. Connect the fixture smooth wire (with markings) to the hot wire in the junction box using the wire nut (I).
DO NOT REVERSE THE HOT AND NEUTRAL CONNECTIONS OTHERWISE SAFETY WILL BE COMPROMISED.
11. Carefully tuck the wire connections into the junction box.
12. Install the canopy (C) to the mounting plate (A) and secure with the side screw (D).
13. Thread the rod (H) to the bottom of the fixture body.
14. Insert bulbs (not included) into the sockets.
15. Clip the shades (J) onto the light bulbs.
16. Installation is complete, turn on power at fuse or circuit breaker.

***Clean with a dry, soft cloth only. Use no harsh abrasives or chemical agents.