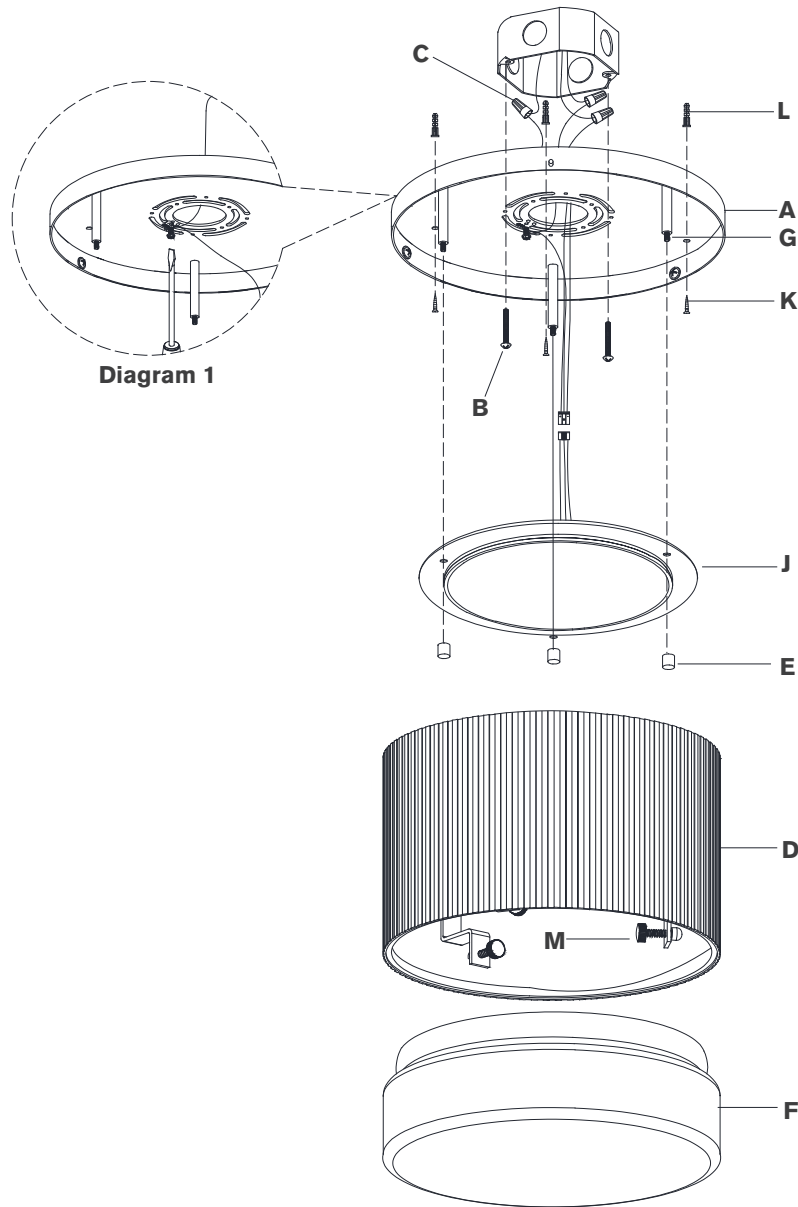


ASSEMBLY INSTRUCTIONS



Ace 7" Flush Mount

Item # TOB 4355

NOTICE:

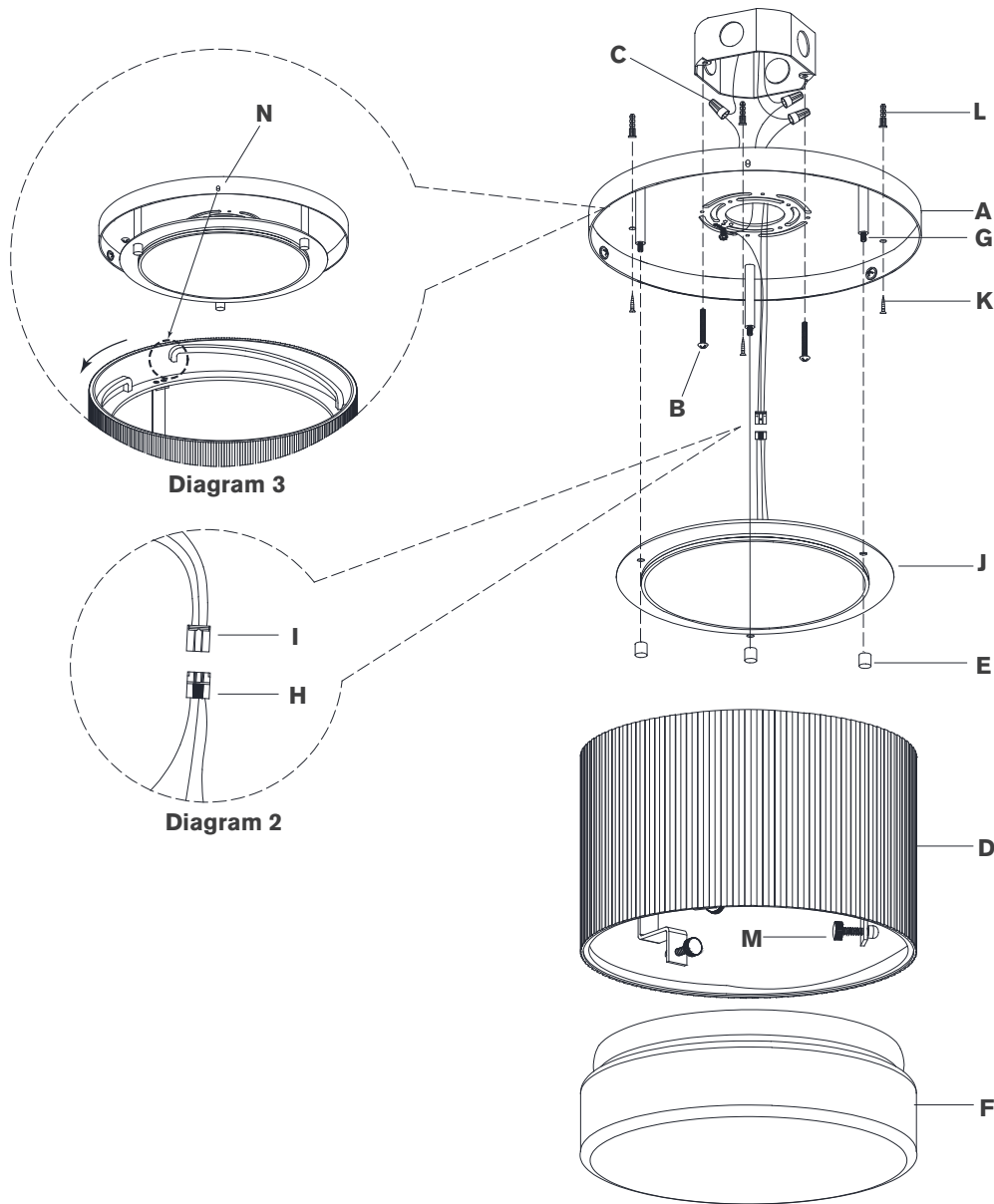
This light fixture should be installed in accordance with all applicable, local installation codes, and by a person familiar with the construction and operation of it, as well as the hazards involved. Inspect item and contents carefully. If any damage or defect is found, do not install. Retain all packaging material until installation is complete and approved.

TOOLS REQUIRED (NOT INCLUDED):

Phillips Screwdriver	Slotted Screwdriver	Drill
Pencil	Hammer	

1. Carefully remove all parts from the box. Place on a clean, soft surface.
2. Remove fixture body (D) from mounting plate (A) by unscrewing.
3. Remove mounting plate (A) from light source (J) by removing threaded caps (E).
4. Using mounting plate (A) as a guide, line up with the junction box and mark anchor positions.
5. Using a drill bit slightly smaller than the anchor, drill holes in the marked positions. Install anchors (L) into the holes using hammer.
6. Install mounting plate (A) to the junction box and secure with mounting screws (B), then secure wood screws (K) to anchors (L).
7. Remove quick connector (I) from light source.
8. Wrap quick connector ground wire (bare copper) around the green grounding screw (see diagram 1). Tighten. Continue quick connector ground wire and connect to supply ground wire (usually green or bare copper) using wire nut (C).
- NOTE:** It is imperative that the fixture is grounded.
9. Connect quick connector neutral wire (white) to the supply neutral wire (usually white) using wire nut (C).
10. Connect quick connector hot wire (black) to the supply hot wire (usually black) using wire nut (C).
- CAUTION:** Do not reverse the hot and neutral connections.

ASSEMBLY INSTRUCTIONS



Ace 7" Flush Mount

Item # TOB 4355

NOTICE:

This light fixture should be installed in accordance with all applicable, local installation codes, and by a person familiar with the construction and operation of it, as well as the hazards involved. Inspect item and contents carefully. If any damage or defect is found, do not install. Retain all packaging material until installation is complete and approved.

11. Make sure all wire connections are tight, then carefully tuck into the junction box.
12. Connect quick connectors **(I & H)** together (see diagram 2), then install light source **(J)** to threaded nipple **(G)** and secure with threaded caps **(E)**.
13. Loosen thumbscrews **(M)** from shade bracket, then install glass shade **(F)** to fixture body **(D)** and secure with thumbscrews **(M)**.
NOTE: Do not over-tighten otherwise shade could become damaged.
14. Align studs **(N)** on mounting plate **(A)** with slots on fixture body **(D)**, then turn clockwise until locked in place. See diagram 3.

Care Instructions: Clean only with a soft dry cloth or feather duster. Do Not use abrasive or chemical agents.