

## ASSEMBLY INSTRUCTIONS

## Loire Medium Barrel Chandelier

Item # ARN 5451

### NOTICE:

This light fixture should be installed in accordance with all applicable, local installation codes, and by a person familiar with the construction and operation of it, as well as the hazards involved. Inspect item and contents carefully. If any damage or defect is found, do not install. Retain all packaging material until installation is complete and approved.

### TOOLS REQUIRED (NOT INCLUDED):

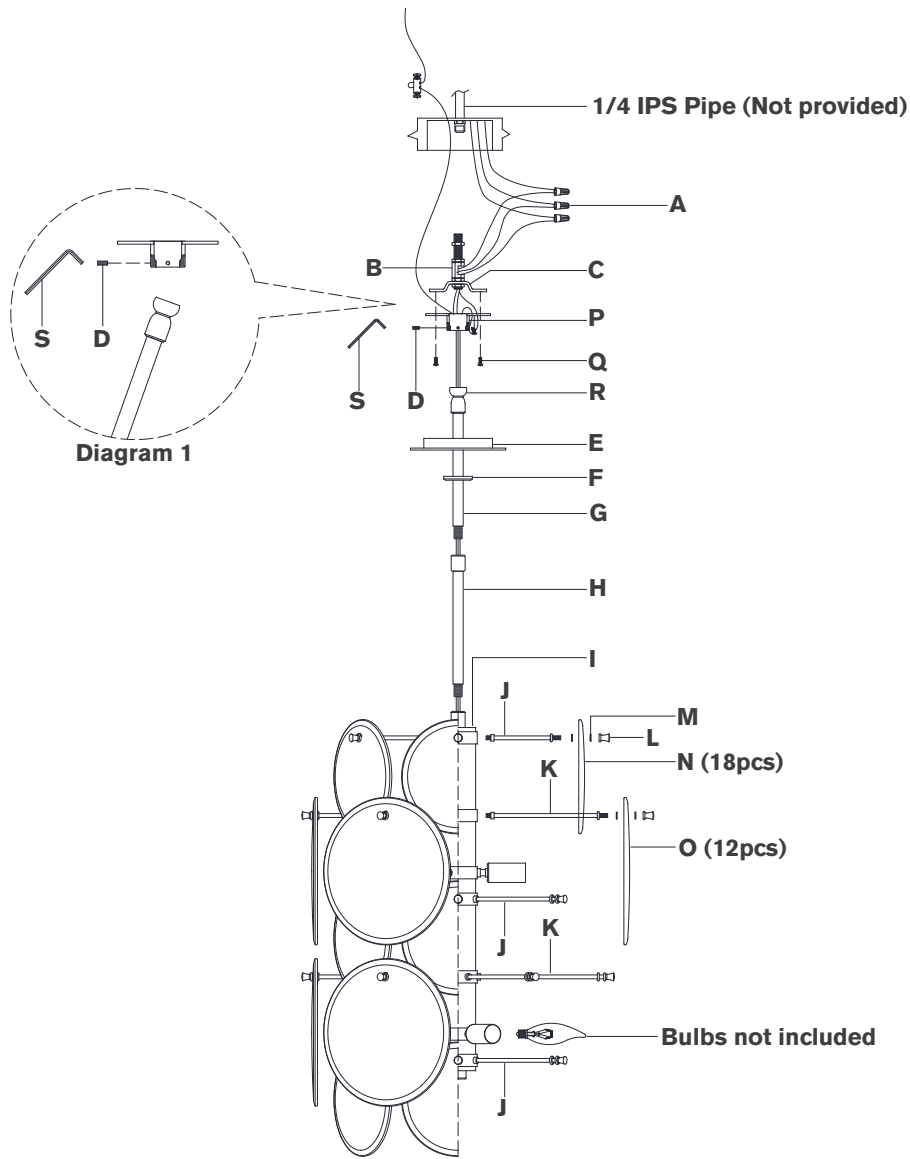
Phillips Screwdriver      Slotted Screwdriver      Wire Cutters  
Wire Strippers

- Carefully remove all parts from the box. Place on a clean, soft surface.
- Remove mounting plate **(P)** from canopy **(E)** by removing collar ring **(F)**.
- Remove mounting bracket **(C)** from mounting plate **(P)** by removing screws **(Q)**.
- Remove hickey **(B)** from mounting bracket **(P)** by removing hex nut.
- It is recommended to install a 1/4 IPS threaded pipe, secured to a structural member of the building (not included). Then install hickey **(B)** into threaded pipe and tighten with wrench.

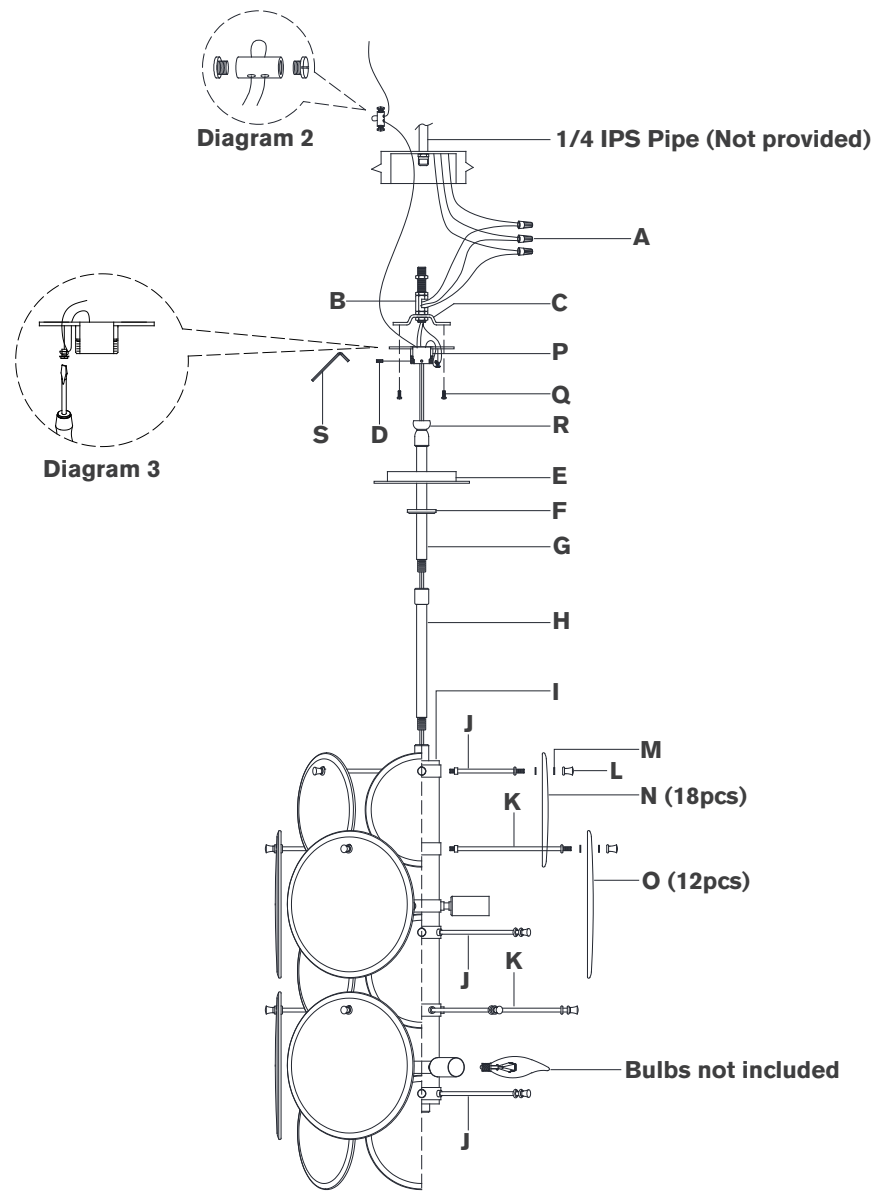
**NOTE:** Item must be supported independent of the junction box due to hanging weight.

- Install threaded nipple to hickey **(B)**, then install mounting bracket **(C)** to threaded nipple by tightening locknut.
- Install mounting plate **(P)** to mounting bracket **(C)** and secure with screws **(Q)**.
- Feed electrical wire, ground wire and safety cable through bottom rod **(H)** and connect to fixture **(I)**.
- Feed wires through collar ring **(F)**, canopy **(E)** and top rod **(G)**.
- Holding fixture upright, slide collar ring **(F)**, canopy **(E)** down bottom rod **(H)** and rest on fixture **(I)**. Then connect top rod **(G)** to rod **(H)**.

**NOTE:** Slide components down slowly to avoid damages.



## ASSEMBLY INSTRUCTIONS



## Loire Medium Barrel Chandelier

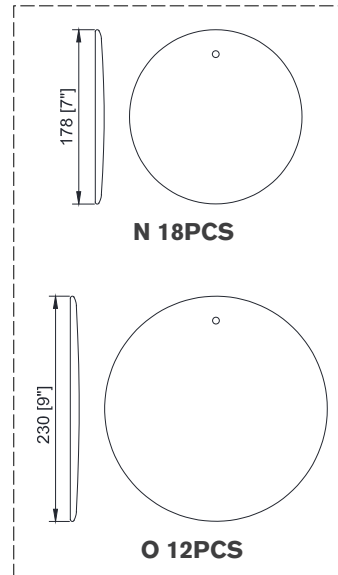
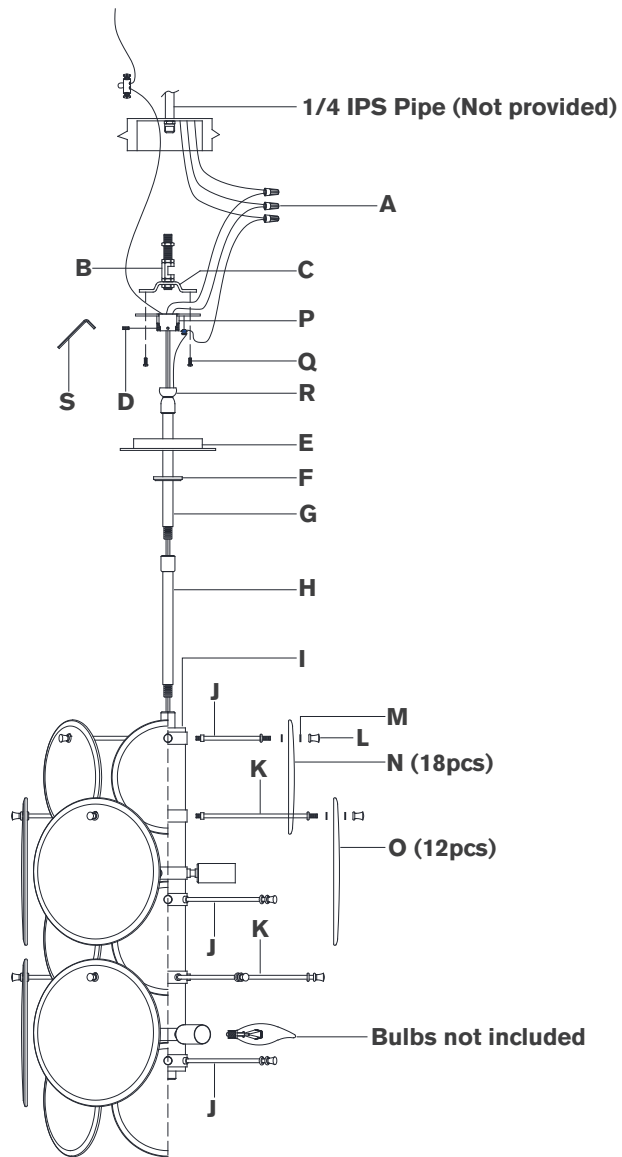
Item # ARN 5451

### NOTICE:

This light fixture should be installed in accordance with all applicable, local installation codes, and by a person familiar with the construction and operation of it, as well as the hazards involved. Inspect item and contents carefully. If any damage or defect is found, do not install. Retain all packaging material until installation is complete and approved.

11. Hang fixture swivel ball **(R)** to center of mounting plate **(P)** and secure with set screw **(D)** using the provided wrench **(S)**. See diagram 1.
  12. Cut excess wires, being sure to leave enough to reach the junction box. Separate wires, and strip insulation on each 5/8".
  13. Loosen cable lock and install to end of safety cable. Run safety cable through junction box and around structural member of building. Insert cable through cable lock and tighten the ends with a screwdriver to secure. (See diagram 2)
  14. Wrap fixture ground wire (bare copper) around the green grounding screw (see diagram 3). Tighten. Continue fixture ground wire and connect to supply ground wire (usually green or bare copper) using wire nut **(A)**.
- NOTE:** It is imperative that the fixture is grounded.
15. Connect fixture neutral wire (ribbed) to the supply neutral wire (usually white) using wire nut **(A)**.
  16. Connect fixture hot wire (smooth with markings) to the supply hot wire (usually black) using wire nut **(A)**.
- CAUTION:** Do not reverse the hot and neutral connections.
17. Make sure all wire connections are tight, then carefully tuck into the junction box.
  18. Install canopy **(E)** to mounting plate **(P)** and secure with collar ring **(F)**.
  19. Install light bulbs into the sockets.
  20. Install glass disks start from the bottom tier as shown below diagram.

## ASSEMBLY INSTRUCTIONS



## Loire Medium Barrel Chandelier

Item # ARN 5451

### NOTICE:

This light fixture should be installed in accordance with all applicable, local installation codes, and by a person familiar with the construction and operation of it, as well as the hazards involved. Inspect item and contents carefully. If any damage or defect is found, do not install. Retain all packaging material until installation is complete and approved.

### Metal Rod & Glass Assembly:

1. Thread short metal rods (**J**) to the first, third and fifth tier of the center hub.
2. Thread long metal rods (**K**) to the second and fourth tier of the center hub.
3. Remove finials (**L**) from metal rods (**J**), then attach small glass (**N**) to metal rods (**J**) and secure with rubber washers (**M**) and finials (**L**).
4. Loosen finials (**L**) from metal rods (**K**), then attach big glass (**O**) to metal rods (**K**) and secure with rubber washers (**M**) and finials (**L**).

**Care Instructions:** Clean only with a soft dry cloth or feather duster. Do Not use abrasive or chemical agents.